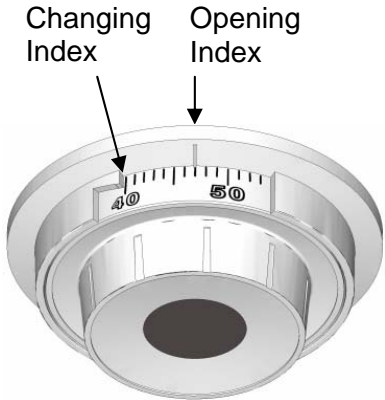


OPERATING INSTRUCTIONS
Combination Lock #ML2 or #ML-2MR

ENGLISH

070105





GENERAL



- Always turn the dial slowly and carefully.
- Use the **Opening Index** to dial the code if you want to open the lock. The **Changing Index** is only used to change the code.
- On the last turn for each code number, stop exactly when the Code number is in line with the Opening Index. In case you turned too far, you cannot correct this by turning back.
- In case of an error, start over beginning with the first code number.
- **Never force the Dial.** It must always turn smoothly. If not, ask a service technician to have a look at the lock.

Open the Lock: (Use Opening Index)

The lock combination is 10 – 30 – 20

- | | | |
|----|--|--|
| 4x |  | Turn LEFT and pass "10" (the first number of the combination) three times and stop exactly on "10" on the Opening index the fourth time. |
| 3x |  | Turn RIGHT and pass "30" (the second number of the combination) twice and stop exactly on "20" on the Opening index the third time. |
| 2x | 
 | Turn LEFT and pass "20" (the third number of the combination) once and stop exactly on "20" on the Opening index the second time.
Turn RIGHT until the dial stops. The lock is open. The dial should stop between 90 and 95 on the Opening index. |

Locking the Combination Lock:

Turn at least four complete turns LEFT.

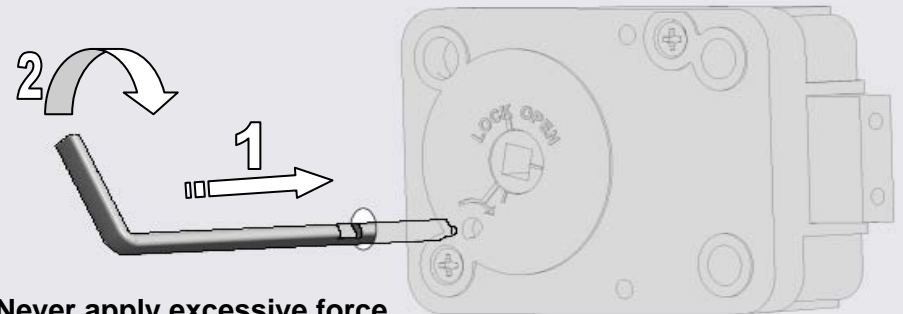
ATTENTION: For security reasons, never select a code from personal data (birthday, telephone number, et cetera). Each number has to be at least 4 numbers apart from the others. For example: 49-53-44 and not 51-52-53.

Changing the Code: (Use Changing Index)

Open the lock and the door. Turn the bolt work and lock to locked position. Dial the existing code using the CHANGING INDEX, for example 10-30-20:

- | | |
|-----------|--|
| 4 x LEFT | until "10" line is fully visible under the <u>Changing Index</u> |
| 3 x RIGHT | until "30" line is fully visible under the <u>Changing Index</u> |
| 2 x LEFT | until "20" line is fully visible under the <u>Changing Index</u> |

1. **Carefully insert change key on the inside of the safe door.** Slightly wiggle if necessary.
2. **Turn change key as shown clockwise to the stop** (approx. 90 deg.)






Never apply excessive force

If change key cannot be inserted or turned, the correct code has not been dialed to the Changing Index on the dial. Take out the key and dial the valid code again.

Now dial a new code using the CHANGING INDEX.

The last number must be higher than 10.

- | | | |
|-----|---|--|
| 4 x |  | Turn LEFT, pass first code number three times and stop the fourth time, when the code number line is fully visible under the Changing Index |
| 3 x |  | Turn RIGHT, pass second code number twice and stop the third time, when the code number line is fully visible under the Changing Index |
| 2 x |  | Turn LEFT, pass third code number once and stop the second time, when the code number line is fully visible under the Changing Index |

If you turned the dial too far, start over beginning with the first code number.

After the new Code is completely entered, **turn change key LEFT and remove it.** The new Code is installed.

Try the new code several times (using Opening Index) before closing the door!